

Part number:

HYDROMA

HYDRAULICKÉ SYSTÉMY

**HIDROMA
SISTEMS**

UKŁADY HYDRAULICZNE

HYDROMA

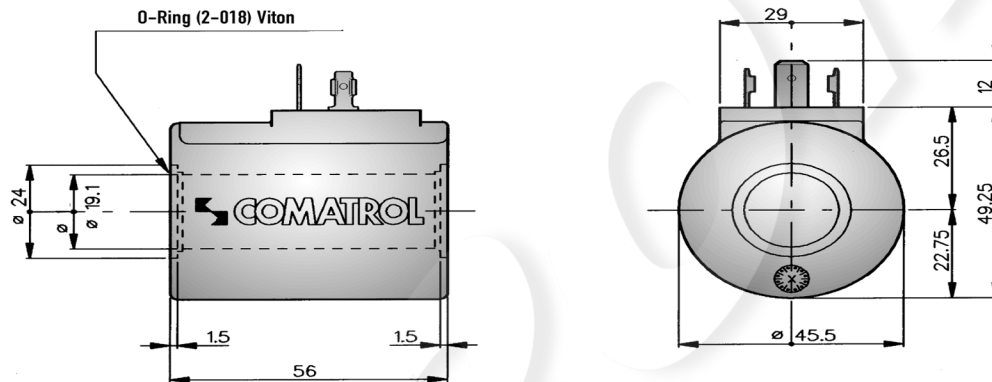
ГИДРАВЛИЧЕСКИЕ СИСТЕМЫ

Cartridge Valves Legacy Product Technical Information

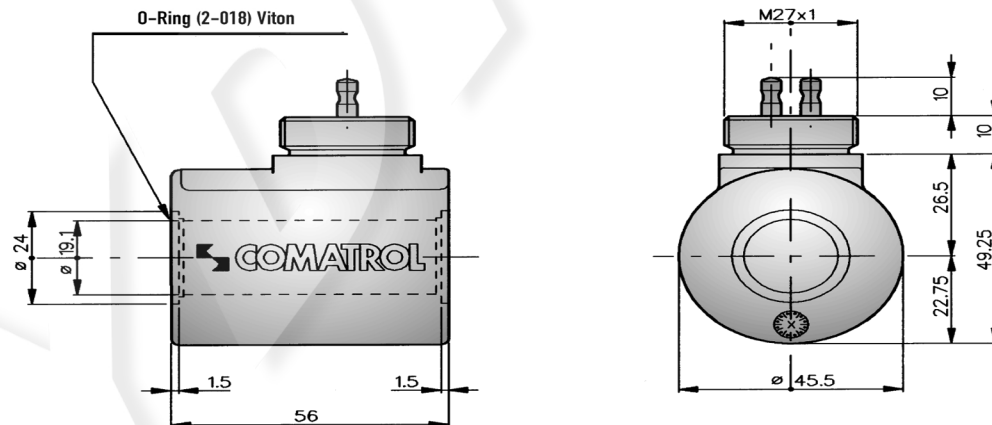
Coil for EDH 12

COIL FOR EDH 12

DIN 43650



KOSTAL M27 x 1



CONNECTION	VOLTAGE	VOLTAGE RANGE	RESISTANCE +/- 5% at 20° C	CURRENT		POWER	CONNECTOR	COIL ORDER N°
				cold	hot			
DIN 43650	12 Volt DC	10.8-13.2	4.35 Ohm	2.75 A	1.65 A	33 W	Type A	17.11.112.1.9
DIN 43650	24 Volt DC	21.6-26.4	17.4 Ohm	1.37 A	0.82 A	33 W	Type A	17.11.113.1.9
DIN 43650	27 Volt DC	24.3-29.7	21.3 Ohm	1.04 A	0.62 A	33 W	Type A	17.11.136.1.9
DIN 43650	24 Volt RAC	21.6-26.4	13.4 Ohm	1.57 A	0.94 A	33 W	Type C	17.11.114.1.9
DIN 43650	110 Volt RAC	99-121	287 Ohm	0.33 A	0.19 A	33 W	Type C	17.11.115.1.9
DIN 43650	220 Volt RAC	198-242	1190 Ohm	0.16 A	0.09 A	33 W	Type C	17.11.116.1.9
KOSTAL M27X1	12 Volt DC	10.8-13.2	4.35 Ohm	2.75 A	1.65 A	33 W	Type K	17.11.109.1.9
KOSTAL M27X1	24 Volt DC	21.6-26.4	17.4 Ohm	1.37 A	0.82 A	33 W	Type K	17.11.110.1.9